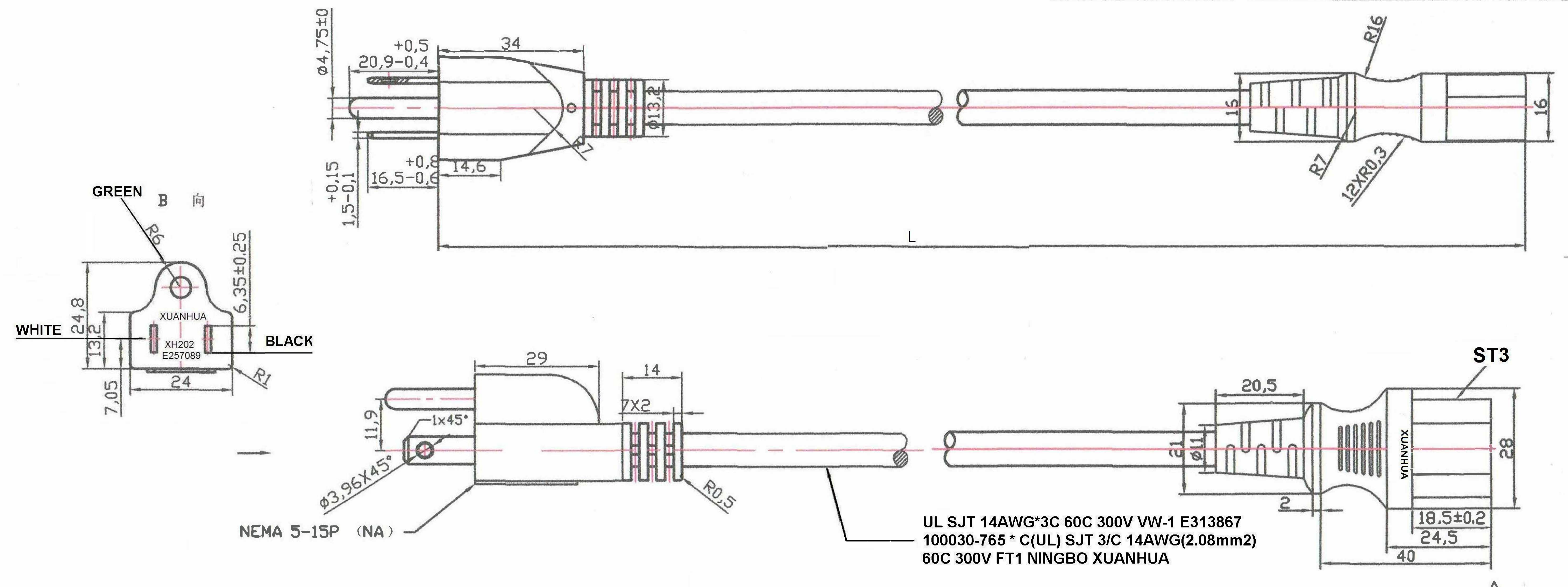
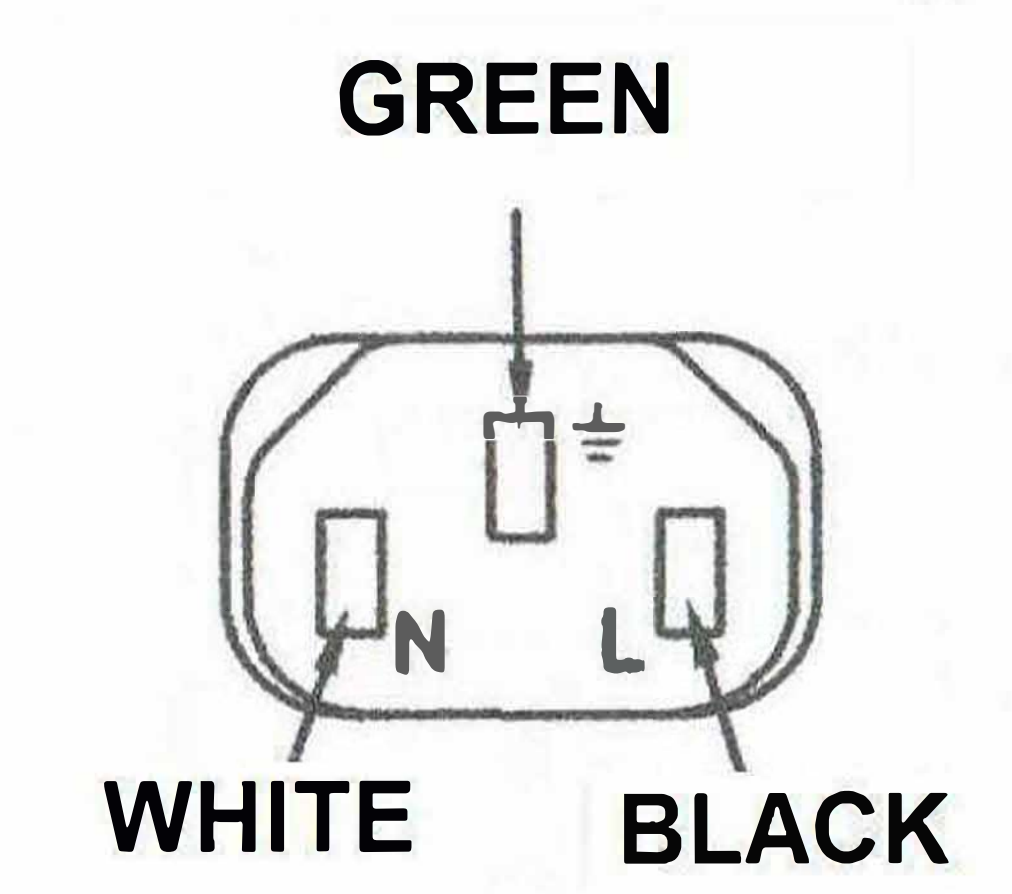
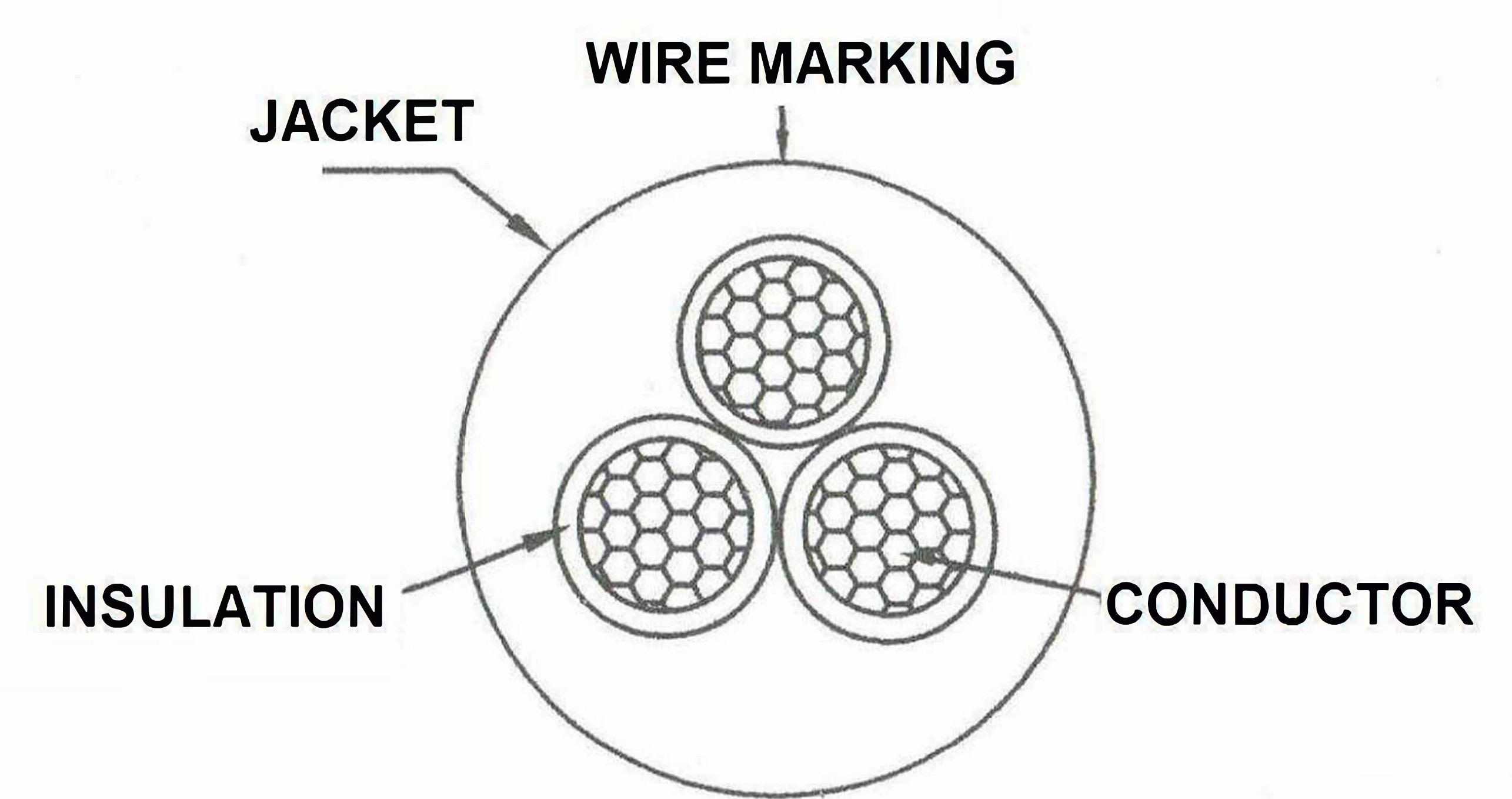


REVISION INFORMATION			
Rev.	Rev. Date	Modified By	Brief Description



UL SJT 14AWG*3C 60C 300V VW-1 E313867
 100030-765 * C(UL) SJT 3/C 14AWG(2.08mm²)
 60C 300V FT1 NINGBO XUANHUA



CONDUCTOR	INSULATION THICKNESS (mm)	SHEATH (mm) THICKNESS	OVERALL DIA.(mm)
14AWG 41/0.25	0.76	0.76	9.4 ±0.2

NOTE: If the conductors O.D is go beyond the scope, the resistance of conductor is standard then.

LANshack
 Sales@LANshack.com | 888-568-1230

NO.	PART NAME	SPECIFICATION DESCRIPTION	QTY	UNIT
③				
②				
①				

DRAWN BY WANG	DATE: 2016-01-15	DESCRIPTION: Black Power Cord with NEMA 5-15P to IEC C-13 Connectors and 14/3 AWG Conductors (AC125V /10A /1250W) - RoHS Compliant and UL/CSA Approved
CHECKED BY ZHANG	SHEET 1 of 1	ITEM NO. LSBL-PC-5-15-143-xx
APPROVED BY	SCALE 1:1	REV. 00 UNIT: mm